

DS-2CC12D9T-AIT3ZE
2MP Ultra Low-Light PoC Bullet Camera

104-942

**Key Features**

- 2.0 megapixel progressive scan CMOS
- Analog output, up to 1080p resolution
- 2.8 to 12 mm motorized vari-focal lens
- OSD menu
- 120 dB true WDR
- Semi-auto focus
- EXIR 2.0, up to 40 m IR distance
- 1 alarm in/out
- PoC
- Up the Coax (HIKVISION-C)
- IP67

Specification

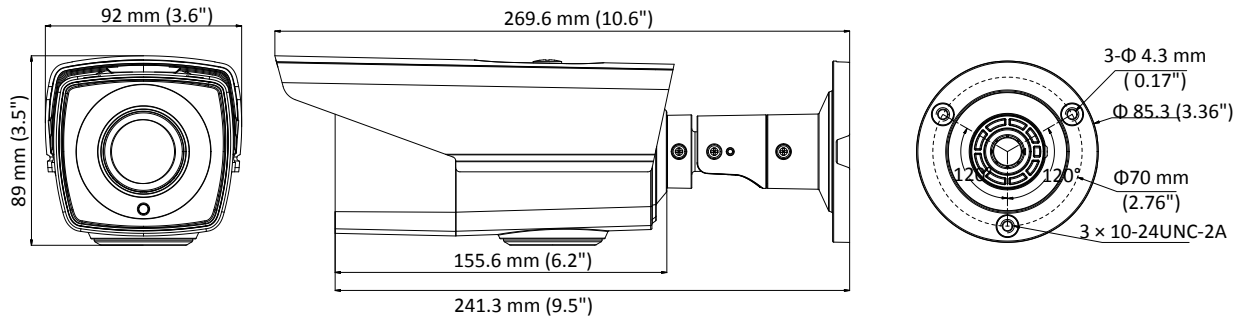
Camera	
Image Sensor	2.0 megapixel progressive scan CMOS
Signal System	PAL/NTSC
Effective Resolution	1920 (H) × 1080 (V)
Frame Rate	PAL: 1080p@25fps NTSC: 1080p@30fps
Min. Illumination	0.003 Lux@(F1.2, AGC ON), 0 Lux with IR
Shutter Time	PAL: 1/25 s to 1/50,000 s NTSC: 1/30 s to 1/50,000 s
Slow Shutter	Max.: 30 times
Lens	2.8 mm to 12 mm
Horizontal Field of View	32.1° to 98°
Lens Mount	Φ 14
Day & Night	IR cut filter
Angle Adjustment (Bracket)	Pan: 0° to 360°, Tilt: 0° to 90°, Rotate: 0° to 360°
Synchronization	Internal synchronization
WDR	> 120 dB
Menu	
AGC	Support
Day/Night Mode	Auto/Color/BW (White & Black)
White Balance	ATW/AWC-SET/MANUAL
Privacy Mask	ON/OFF, 8 programmable privacy masks
Motion	4 programmable motion areas
Backlight Compensation	WDR/BLC/HLC/OFF
2D & 3D DNR	ON/OFF
Voltage Detection	Support
Functions	Defog, Mirror, Defective Pixel Correction, Sharpness, Camera Title
Scene	Indoor/outdoor/indoor1/low light
Interface	
Video Output	1 HD analog output/1 Vp-p composite output (75Ω/BNC)
Alarm	1 alarm in/out
General	
Operating Conditions	-40° C to 60° C (-40° F to 140° F), humidity: 90% or less (no condensation)
Power Supply	24 V AC/12 V DC ±30%/PoC.at
Ingress Protection	IP67
IR Distance	Up to 40 m
Power Consumption	Max.: 7.5 W
Communication	Up the coax, Protocol: HIKVISION-C
Dimensions	92 mm × 85.3 mm × 269.6 mm (3.62" × 3.36" × 10.61")
Weight	Approx. 700 g (1.54 lb.)

Order Model

DS-2CC12D9T-AIT3ZE

* PoC function is only available when cooperating with DS-1TPXXX.

Dimensions



Ness Part No. 104-942



Innovative Electronic Solutions
www.ness.com.au



NSW Ph 02 8825 9222
sales@ness.com.au

VIC Ph 03 9875 6400
nessmelb@ness.com.au

QLD Ph 07 3399 4910
nessbris@ness.com.au

WA Ph 08 9328 2511
nessper@ness.com.au

SA Ph 08 8152 0000
adelaide@ness.com.au