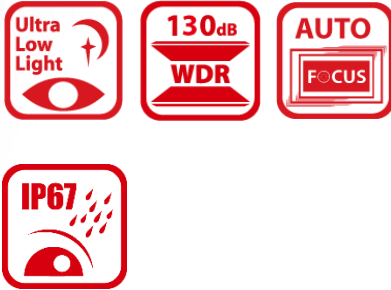


**DS-2CE79H8T-AIT3ZF**  
**5 MP Ultra-Low Light Camera**

114-222



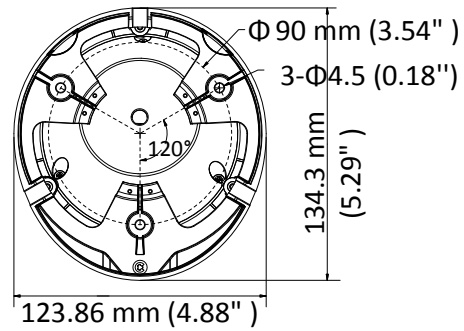
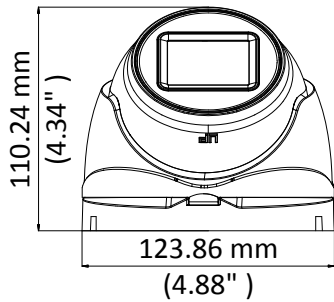
**Key Feature**

- 5 MP, 2560 × 1944 resolution
- Ultra-low light
- 130 dB true WDR, 3D DNR
- 2.7 mm to 13.5 mm varifocal lens, auto focus
- Smart IR, up to 60 m IR distance
- 4 in 1 video output (switchable TVI/AHD/CVI/CVBS)
- IP67

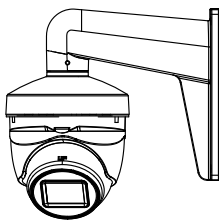
## Specification

<b>Camera</b>	
Image Sensor	5 MP CMOS
Signal System	PAL/NTSC
Resolution	2560 (H) × 1944 (V)
Min. Illumination	0.003 Lux @ (F1.2, AGC ON), 0 Lux with IR
Frame Rate	TVI: 5MP@20fps, 4MP@25fps, 4MP@30fps, 2MP@25fps, 2MP@30fps AHD: 5MP@20fps, 4MP@25fps, 4MP@30fps CVI: 4MP@25fps, 4MP@30fps CVBS: PAL, NTSC
Shutter Time	PAL: 1/25 s to 1/50, 000 s NTSC: 1/30 s to 1/50, 000 s
Lens	2.7 mm to 13.5 mm motorized varifocal lens
Horizontal Field of View	92.3° to 29.3°
Lens Mount	Φ 14
Day & Night	ICR
WDR (Wide Dynamic Range)	≥130 dB
Angle Adjustment	Pan: 0° to 360°; Tilt: 0° to 75°; Rotate: 0° to 360°
<b>Menu</b>	
Image Mode	STD/HIGH-SAT
AGC	Yes
Day/Night Mode	Auto/Color/BW (Black and White)
White Balance	Auto/Manual
AE (Auto Exposure) Mode	WDR/BLC/Global
Privacy Mask	4 programmable privacy masks
Motion Detection	4 programmable motion areas
Noise Reduction	3D DNR
Language	English
Function	Brightness, Sharpness, Mirror, Smart IR
<b>Interface</b>	
Video Output	Switchable TVI/AHD/CVI/CVBS
<b>General</b>	
Operating Conditions	-40 °C to 60 °C (-40 °F to 140 °F), humidity: 90% or less (non-condensing)
Power Supply	12 VDC ± 20%, 24 VAC ± 20%
Power Consumption	Max. 10.5 W
Protection Level	IP67
Material	Metal
IR Range	Up to 60 m
Communication	HIKVISION-C
Dimensions	123.86 mm × 134.3 mm × 110.24 mm (4.88" × 5.29" × 4.34")
Weight	Approx. 630 g (1.39 lb.)

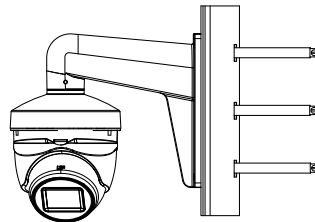
## Dimension



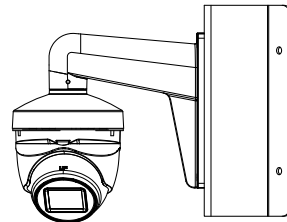
## Accessory



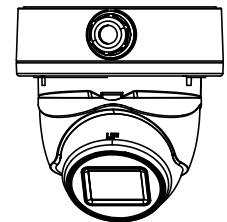
DS-1273ZJ-130-TRL  
Wall Mount



DS-1275ZJ-SUS  
Vertical Pole Mount



DS-1276ZJ-SUS  
Corner Mount



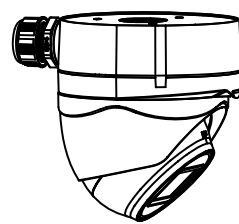
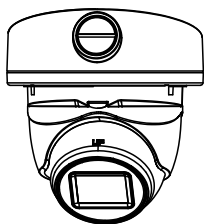
DS-1280ZJ-M  
Junction Box



DS-1281ZJ-M  
Inclined Ceiling Mount



DS-1280ZJ-TR12  
Wall Mount



## ORDERING INFORMATION

114-222

Hikvision



Innovative Electronic Solutions  
www.ness.com.au



NSW Ph 02 8825 9222  
sales@ness.com.au

VIC Ph 03 9875 6400  
nessmelb@ness.com.au

QLD Ph 07 3399 4910  
nessbris@ness.com.au

WA Ph 08 9328 2511  
nessper@ness.com.au

SA Ph 08 8152 0000  
adelaide@ness.com.au