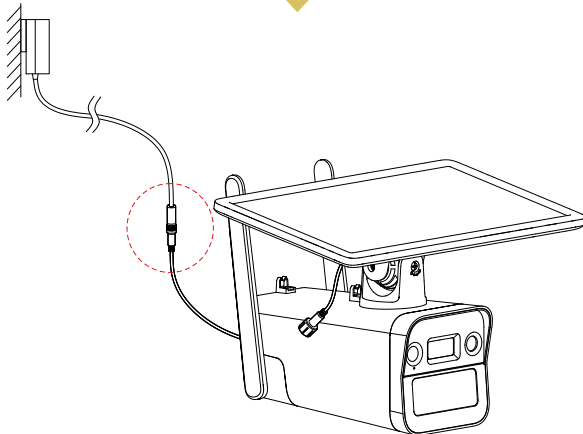
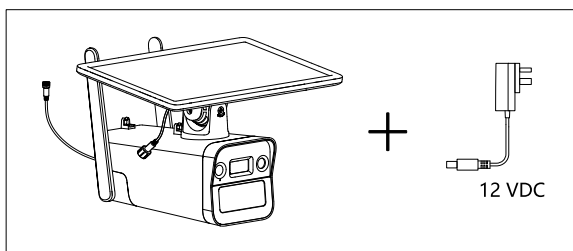


Setup Guide for:

114-664 Hik DS-2XS2T41G1-ID/4G 4MP Mini Solar Camera 4mm

Cable Connection Notes

- 1 Charge or activate the camera:** Connect the power input interface of the camera to the power adapter.



- 2 Keep the camera in working condition:**

- (1) Connect the power input interface of the camera and the power output interface of the solar panel.
- (2) Route the cables through the cable clips.

